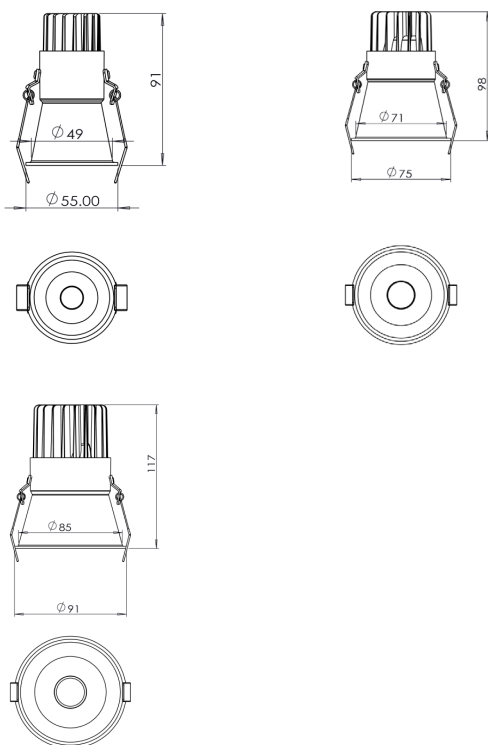


Datasheet

Type: NS22
Itemnr.: 2200410930001



Technical Data

Lumen	375lm, 750lm, 1125lm or 1500lm
Beam Angle	5,15,25,36 (optic) / 15,25,38,60 (reflector)
Colors Available	Warm white, Neutral white
Color Temperature	3000K, 4000K (Opt Tunable White)
Color Rendering	CRI90 (Option CRI95)
MacAdam	Step 3 (Option step 2)
Consumption	5W, 10W, 15W, 20W
Voltage Range	220 ~ 240VAC 50/60Hz (external driver)
Current LEDs	250mA, 350mA, 500mA
PF & Flicker	Power Factor >95 & Flicker <1 % (Custom)
10A Fuse Type C	Max. 25 luminaires (Start Current limit)
16A Fuse Type C	Max. 38 luminaires (Start Current limit)
Leakage current	< 0,5mA @ 240V AC (custom possible)
Efficiency	75 lm/W (LEDs 125 lm/W) - Custom possible
Equal To	NS22 9W = QT Halogen bulb 50W
Lifetime TM-21	60K hours at Ta = 25°C (L80) B10
Lifetime LEDs	100K hours at Ta = 25°C (L80) B50
Lifetime driver	100K hours at Ta = 25°C (MTBF) B50
Driver Options	DALI, DALI V2 DT8, 1-10V, CLO
IP Code	IP44 front (Above IP20)
IK Class	IK00
Class	2, Double Insulated
Working temp	-20 to 45 degree Celsius
Size	Ø55 (H91), Ø75 (98) or Ø91 (H117) mm
Cut out	49mm, 51mm or 85mm
Installation	Recessed, one driver for each luminaire
Linkable cables	Yes 5 pol terminal box for two cables
Material used	Aluminum, PMMA for frontglass
Weight	0,94 Kg
Shipping	Package of 24 pcs
IES File	Yes
Certificates	CE, ROHS, TM21, LM80, IES, NEMASSL32011
Other	ENEC, only for driver unit
Warranty	5 years*
Housing	White, black, gold, bronze or optional
Included	Complete lamp housing, LEDs, driver

Lumega Europe ApS
Phone +4571995825
info@lumega.eu
www.lumega.eu

