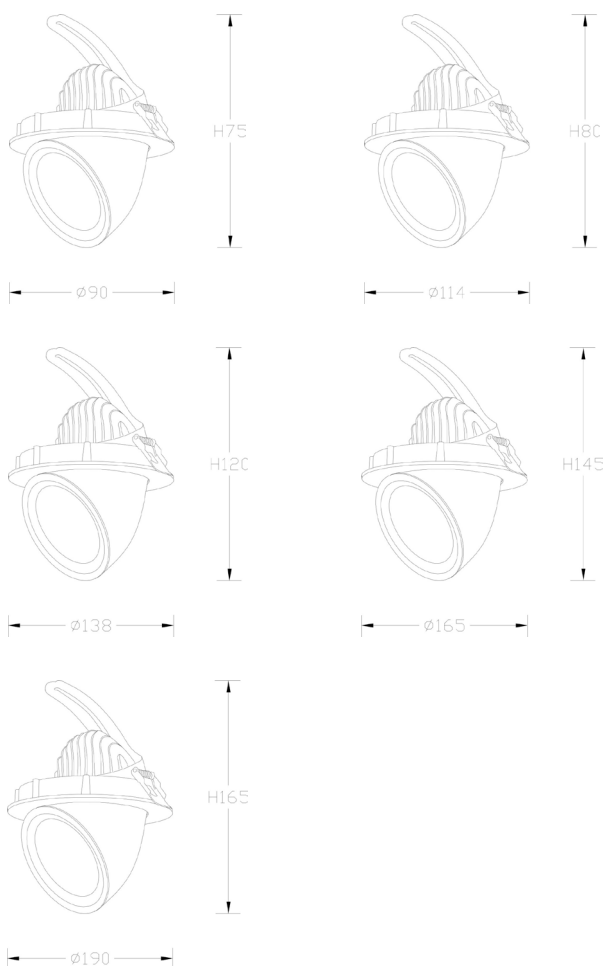


Datasheet

Type: NS27
Itemnr.: 2700510930001



Technical Data

Lumen	1000, 1500, 2500, 3500, 5000lm ± 5 %
Beam Angle	15, 24, 38 or 60
Colors Available	Warm white, Neutral white, Cold white
Color Temperature	2700K, 3000K, 4000K (Opt Tunable white)
Color Rendering	CRI90 (Option CRI97)
MacAdam	Step 3 (Option Step 2)
Consumption	10W, 15W, 25W, 35W or 50W
Voltage Range	220 ~ 240VAC 50/60Hz external driver
Current LEDs	350-1050mA
PF Power Factor	>95 @ Full load
Flicker	<1 % Flicker free (IEEE Std. 1789-2015)
10A Fuse Type C	Max. 24 luminaires (Start Current limit)
Leakage current	< 0,5mA @ 240V AC (custom possible)
Efficiency	100 lm/W (LEDs 150 lm/W) - Custom possible
Equal To	NS27 25W = Metal halide 35W HIT
Lifetime TM-21	50K hours at Ta = 25°C (L90) B50
Lifetime LEDs	65K hours at Ta = 25°C (L80) B50
Lifetime driver	100K hours at Ta = 25°C (MTBF) B50
Driver Options	DALI 2, 1-10V, Push dim, CLO
IP Code	IP20
IK Class	IK08
Class	2, Double Insulated
Working temp	-20 to 45 degree Celsius
Size	5 Sizes of choice
Hole size	Ø70, 100, 128, 150, 175mm
Installation	Recessed, one driver for each luminaire
Typical UGR	<20
Linkable cables	Yes 5 pol terminal box for two cables
Material used	Die cast aluminum, PMMA for frontglass
Weight	0,5 Kg
Shipping	Package of 25 pcs
IES File	Yes
Certificates	CE, ROHS, TM21, LM80, IES
Other	ENEC, only for driver unit
Warranty	5 years*
Housing	White, silver, black or optional RAL colors
Included	Complete lamp housing, LEDs, driver

Lumega Europe ApS
Phone +4571995825
info@lumega.eu
www.lumega.eu

