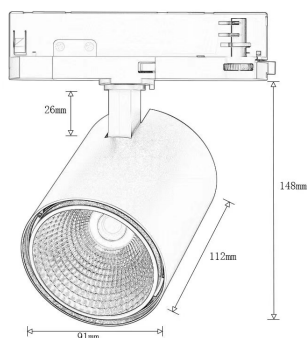


Datasheet

Type: NS73
Itemnr.: 7300590930001



Technical Data

Lumen	2.600lm, 3.900lm \pm 5 %
Beam Angle	15, 24, 36, 60
Colors Available	Warm white, Neutral white, Cold white
Color Temperature	2700K, 3000K, 4000K (Opt. Tunable White)
Color Rendering	CRI90
MacAdam	Step 3 (Option Step 2)
Consumption	20W or 30W
Voltage Range	220 ~ 240VAC 50/60Hz internal driver
Current LEDs	500mA or 700mA
PF Power Factor	>95 @ Full load
Flicker	<1 % Flicker free (IEEE Std. 1789-2015)
10A Fuse Type C	Max. 26 luminaires (Start Current limit)
Leakage current	< 0,5mA @ 240V AC
Efficiency	130 LPW (LEDs 245 LPW) - Custom possible
Equal To	NS73 30W = HIT Metal halide lamp 70W
Lifetime TM-21	50K hours at Ta = 25°C (L90) B10
Lifetime LEDs	80K hours at Ta = 25°C (L80) B50
Lifetime driver	100K hours at Ta = 25°C (MTBF) B50
Dimmable	Option DALI or Casambi
IP Code	IP20
IK Class	IK05
Class	2, Double Insulated
Working temp	-20 to 45 degree Celsius
Size	\varnothing 91 x H112mm
Suit able track	Global, Universal, will be specified
Installation	Directly in 3-phase track / DALI track option
Typical UGR	<20 (with Honey comp 16-17)
Material used	Die cast aluminum, PMMA for frontglass
Weight	0.9 Kg
Shipping	Package of 18 pcs
IES File	Yes
Certificates	CE, ROHS, TM21, LM80, IES
Other	ENEC, only for driver unit
Warranty	5 years*
Housing	White, black or unique RAL colors
Included	Complete lamp housing, LEDs, driver

Lumega Europe ApS
Phone +4571995825
info@lumega.eu
www.lumega.eu

